

APPLICATIONS



WC

PUMPING DISTANCE



WARRANTY



Product Code:
6001

Barcode:
EAN 3308815074191

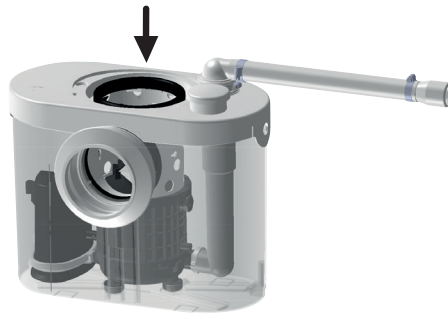


Easy installation and maintenance:
Easy replacement of an old model.
Easy maintenance with access hatch to the basket.



Ideal for one WC.
Low noise level: 46dB(A).
Aesthetics: Modern design with clean lines.

CENTRAL ACCESS TO THE BASKET



- ➔ Direct access to the basket in case of blockage due to improper use of the device.
- ➔ Without dismantling the device and without emptying the tank

TECHNICAL FEATURES

Number of inlets available	1
Ø inlet	100 mm
Ø discharge pipework	22/32 mm
Motor power	400W
Voltage	220-240 V/50 Hz
Electrical class	Single phase
IP rating	IP 44
Sound level	46 dB(A)
Weight	5.1 kg

PACKAGING

- SANIFLO® UP
- Non-return valve
- Connectors
- Activated carbon filter included, to neutralise odours

PUMP CURVE

